

# Lift Over Rooftops With

## Starworker 1200 Trailer Crane [1200kg]

The 1200kg capacity Starworker trailer crane has been developed for restricted access lifting applications where mobile cranes are too large or too costly

The trailer chassis is self-powered for easy manoeuvrability around site. The telescopic aluminium boom and 9m fly jib provide a huge 22.5m working radius, while radio remote control and 360° slewing allow flexible load handling.

Lifting attachments are available including pallet fork and tipping bucket.

### Key Features

- Capacity: 1200kg
- Dual lifting cylinders
- Safe load limiter
- Hydraulic outriggers
- Hydraulic fly jib joint
- Hydraulic heavy duty wheel drive
- Slide-out engine for easy maintenance
- Triple jockey wheel
- Radio remote control with visual overload warning

### Reference Code

MCO25



### Technical Specifications

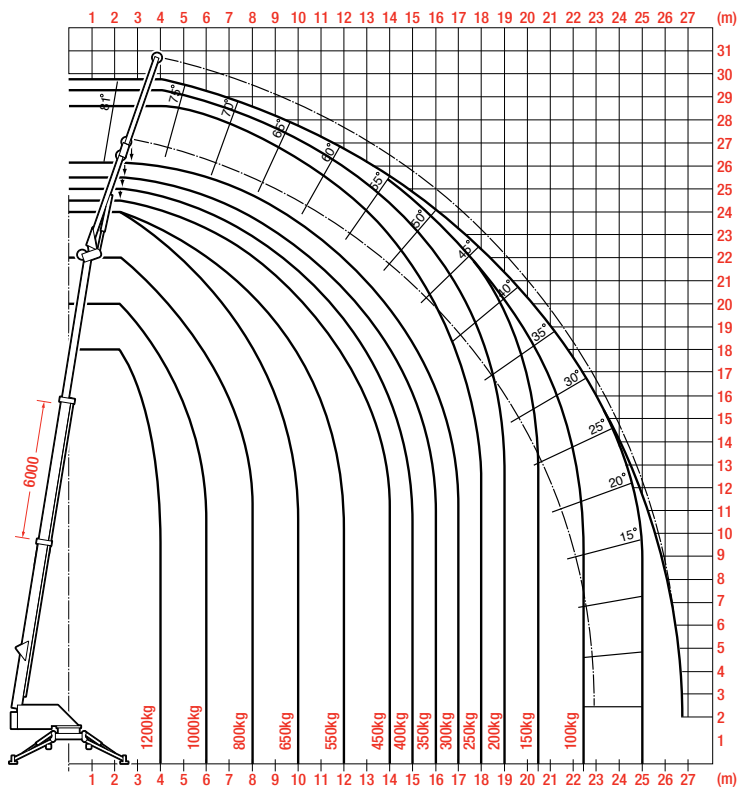
Maximum capacity	1200kg
Maximum working radius	22.5m
Maximum hook height	29.2m
Derricking angle main boom	0° - 81°
Derricking angle fly jib	0° - 140°
Hook speed	0 - 45m/min
Slewing angle	360° (continuous)
Transport width	2335mm
Transport height	2800mm
Transport length	9033mm
Engine	Yanmar / Honda
Fuel	diesel / petrol (LPG option)
Weight	3850kg
Standard equipment	radio remote with feedback
Optional equipment	pallet fork, lifting bucket



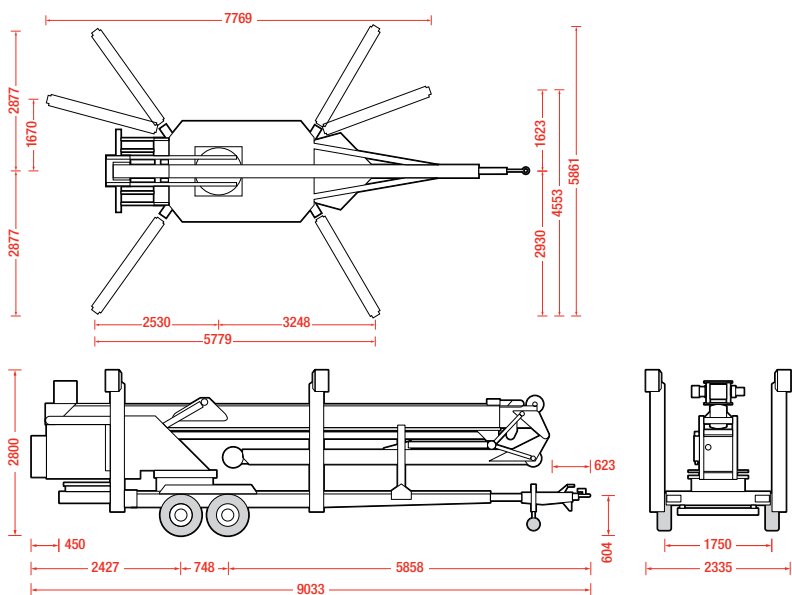
# Telescoping Boom

Starworker 1200 Trailer Crane

## Load Chart



## Technical Data (mm)



Starworker radio remote control